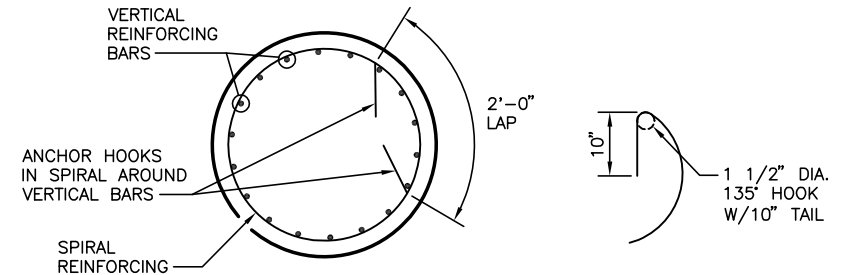
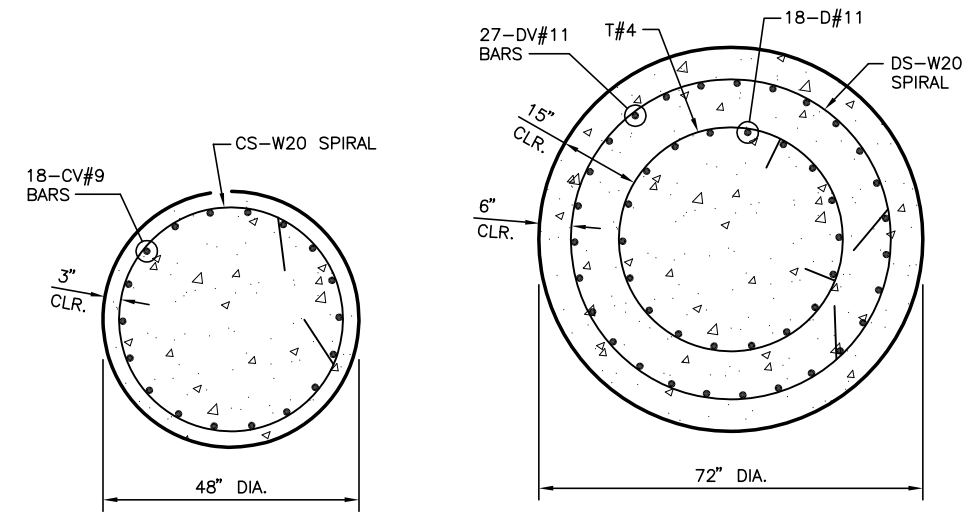


E.F. - DENOTES EACH FACE

NOTE: PEDESTAL REINFORCING NOT SHOWN FOR CLARITY.

1 TREAT TOP OF PIER CAP, INCLUDING ALL SURFACES OF PEDESTALS AND STEP, AND ALL VERTICAL FACES OF THE PIER CAP WITH A PENETRATING WATER REPELLENT SURFACE TREATMENT.

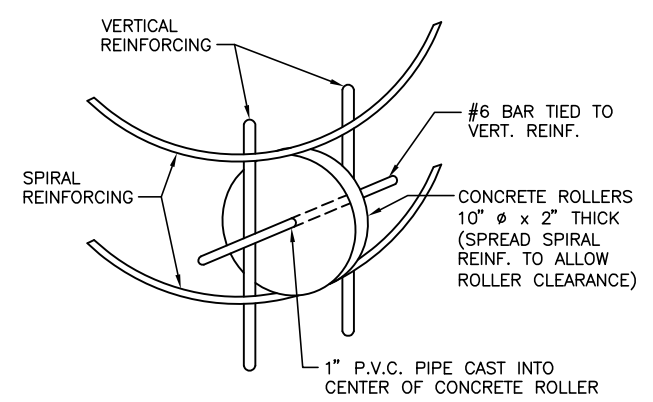
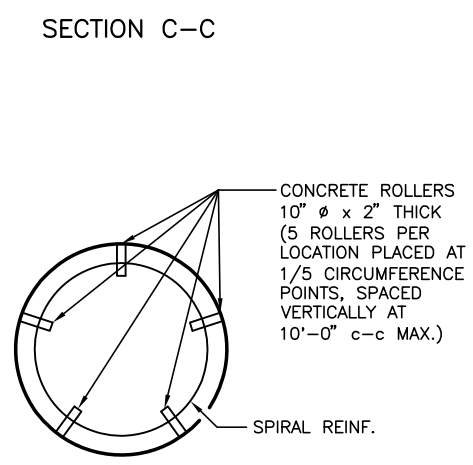


NOTE: SPIRAL BARS SHALL CONFORM TO AASHTO M32. SPIRAL BAR LENGTHS DO NOT INCLUDE LAPS. IF LAPS ARE REQUIRED, THE LENGTH OF THE LAP SHALL BE 2'-0" WITH 10" HOOKS.

PIER 1 BAR LIST				
MARK	NO.	SIZE	SHAPE	LENGTH
(EPOXY COATED)				
CV1	36	9	STR.	13'-1"
H1	6	9	STR.	31'-8"
H2	13	5	STR.	31'-8"
H3	7	9	BNT.	34'-2"
H4	8	4	BNT.	6'-3"
P3	24	4	BNT.	6'-4"
P4	40	4	BNT.	4'-8"
S1	21	6	BNT.	19'-0"
S2	25	5	BNT.	5'-0"
V1	8	4	BNT.	6'-3"
(NON-EPOXY COATED)				
CS1	2	W20	SPIRAL	220'-2"
PIER 1 DRILLED SHAFTS				
(NON-EPOXY COATED)				
D	36	11	STR.	11'-5" (1)
DS1	2	W20	SPIRAL	1876'-5" (1)
DV1	54	11	STR.	58'-7" (1)
T	10	4	BNT.	12'-11" (1)

PIER 2 BAR LIST				
MARK	NO.	SIZE	SHAPE	LENGTH
(EPOXY COATED)				
CV2	36	9	STR.	13'-5"
H1	6	9	STR.	31'-8"
H2	13	5	STR.	31'-8"
H3	7	9	BNT.	34'-2"
H4	8	4	BNT.	6'-3"
P3	24	4	BNT.	6'-4"
P4	40	4	BNT.	4'-8"
S1	21	6	BNT.	19'-0"
S2	25	5	BNT.	5'-0"
V1	8	4	BNT.	6'-3"
(NON-EPOXY COATED)				
CS2	2	W20	SPIRAL	227'-10"
PIER 2 DRILLED SHAFTS				
(NON-EPOXY COATED)				
D	36	11	STR.	11'-5" (1)
DS2	2	W20	SPIRAL	1951'-2" (1)
DV2	54	11	STR.	67'-8" (1)(2)
T	10	4	BNT.	12'-11" (1)

(1) INCLUDED IN PRICE BID PER LIN. FT. OF DRILLED SHAFT.
(2) LENGTH INCLUDES ONE (1) 6'-8" LAP SPLICE.



ROLLER NOTES:
CONCRETE USED IN THE CONCRETE ROLLERS SHALL HAVE A MINIMUM 28 DAY COMPRESSIVE STRENGTH OF 4000 PSI. SLAB BOLSTERS, HIGH CHAIRS, AND PLASTIC ROLLERS SHALL NOT BE SUBSTITUTED FOR THE CONCRETE ROLLERS.

ALL MATERIALS, LABOR, AND INCIDENTALS REQUIRED FOR THE INSTALLATION OF THE CONCRETE ROLLERS TO BE INCLUDED IN THE PRICE BID PER LF OF DRILLED SHAFTS.

PIER QUANTITIES				
ITEM	UNITS	PIER 1	PIER 2	TOTAL
CLASS A CONCRETE	CY	37.30	37.60	74.90
REINFORCING STEEL	LB	300.00	310.00	610.00
EPOXY COATED REINFORCING STEEL	LB	4520.00	4560.00	9080.00
WATER REPELLENT (VISUALLY INSPECTED)	SY	62.00	62.00	124.00
DRILLED SHAFTS 72" DIAMETER	LF	118.20	123.00	241.20
CROSSHOLE SONIC LOGGING	EA	1.00	0.00	1.00

(1) ESTIMATED QUANTITY ONLY, TO BE USED ON THE FIRST DRILLED SHAFT CONSTRUCTED, AS DIRECTED BY THE ENGINEER.

Design	.	S.H. 74D OVER ROCK CREEK	LOGAN COUNTY
Drawn	PKW 09/14	MISCELLANEOUS PIER DETAILS BRIDGE "A" @ STA. 67+62.00	
Checked	.		
Approved	.		
Squad	.		
State Job No. 28312(04)		Sheet No. 24	